



Technical data

Voltage	U	230/400	V
Phase		3	~
Frequency		50	Hz
Speed		585	RPM
Power consumption	P _e	1600	W
Nominal current	I	5.1/3	A
Maximum current	I	5.4/3.1	A
Capacitor		-	μF
Ambient temperature	T _{amb min/max}	-25...40	°C
Insulation Class		CLF	
IP Class Fan		IP55	
Sound pressure level at 2 m	L _p	68	dB(A)
Weight		56.8	kg
Packing dimensions		1385x390x1385	mm

Fan details

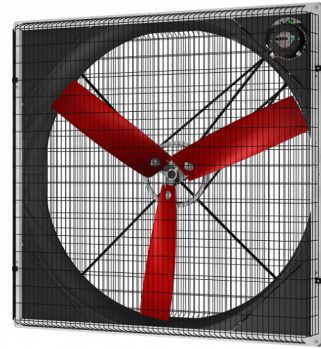
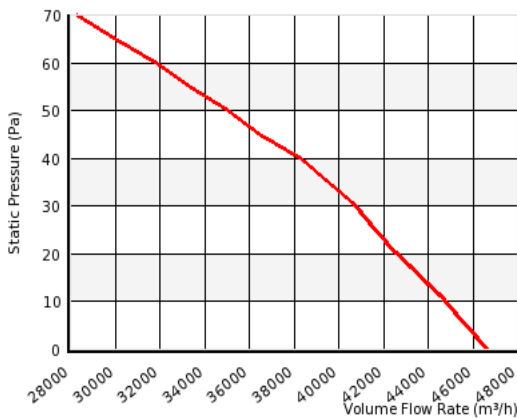
Impeller blades	3
Impeller type	10
Impeller system	N
Impeller material	PG

Control options

Triac controller	No
Transformer	No
Frequency drive	No
Intelligent Fan Drive	No

Characteristics

0 Pa 46700 m³/h
 50 Pa 35000 m³/h



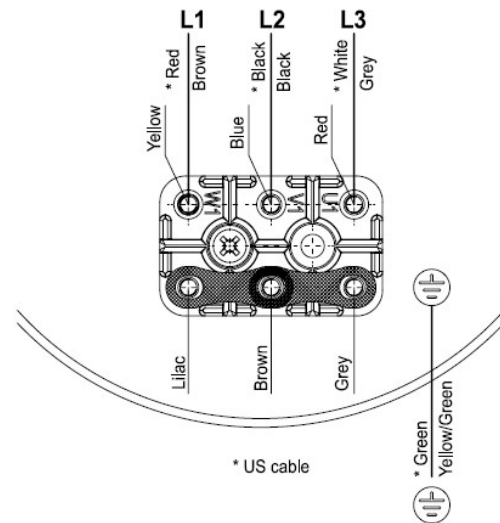
Please note: Picture may deviate from original product

Approval(s)

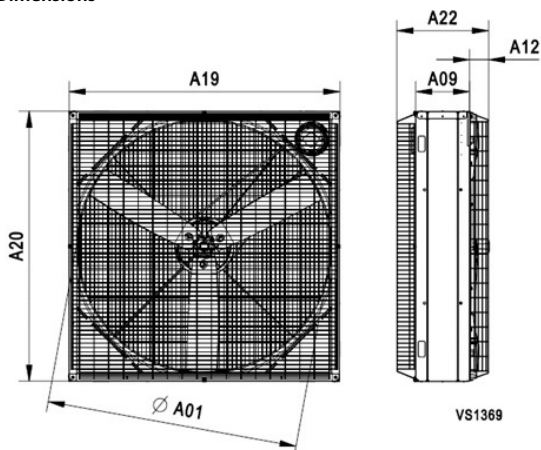


Wiring diagram - Fan

AB01 - 3 Phase - Star connected - CCW



Dimensions



A01:	1284 mm
A09:	275 mm
A12:	96 mm
A19:	1382 mm
A20:	1382 mm
A22:	467 mm